

Features

- 2-way normally closed operation
- Die-cast aluminum bodies
- For positive shutoff on pilot or main gas lines of commercial and industrial gas burners.
- Valves provided with 1/8" NPT upstream and downstream pipe tap with plug for routine testing
- Suitable for ambient temperatures up to 175°F

Fluid

Fuel Gas

Construction

| Valve Parts in Contact with Fluids | |
|------------------------------------|----------------------|
| Body | Aluminum |
| Seals and Disc | NBR |
| Washer | 302 Stainless Steel |
| Core Tube | 305 Stainless Steel |
| Core and Plugnut | 430F Stainless Steel |
| Core Guide | CA |
| Springs | 302F Stainless Steel |
| Shading Coil | Copper |
| Pipe Plug | Zinc-Plated Steel |

Electrical

| Standard Coil and Class of Insulation | Watt Rating and Power Consumption | | | Ambient Temp. °F | Spare Coil Family | |
|---------------------------------------|-----------------------------------|------------|-----------|------------------|-------------------|----------------|
| | AC | | | | General Purpose | Explosionproof |
| | Watts | VA Holding | VA Inrush | | AC | AC |
| F | 20 | 43 | 240 | -40 to 175 | 222345 | - |

Standard Voltages: 120 volts AC, 60 Hz
Optional Voltages: 24, 240 volts AC, 60 Hz
 K3A catalog number includes codification for voltage. However, voltage must be specified when ordering spare coil.

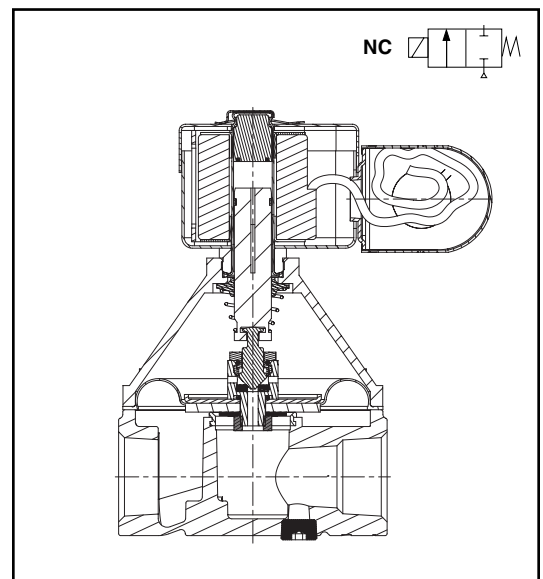
Solenoid Enclosures

Standard: Type 1 General Purpose Junction Box housing with two 7/8" knockouts.

Valve Response Time

Opening Time: Less than 1 second

Closing Time: Less than 1 second



Approvals

UL listed to standard 429 "Electrically Operated Valves," Guide Y10Z, File MP932 Safety Valves.

FM Approved to Class 7400 "Liquid and Gas Safety Shutoff Valves" (3/4" only).

CSA Certified to:

- 1) Standard C22.2 No. 139 "Electrically Operated Valves," File 113070.
- 2) Automatic Gas Valves Z21.21 (6.5), File 109157 and 113070
- 2) Automatic Gas Safety Shutoff Valves C/I (3.9), File 113070

Specifications (English units)

| Pipe Size (in) | Orifice Size (in) | Cv Flow Factor | Gas Capacity ① | | Operating Pressure Differential (psi) | | Max. Fluid Temp. °F | Catalog Number | | | Const. Ref. | Agency | | | Wattage | Approx. Shipping Weight (lbs) |
|--|-------------------|----------------|----------------|------|---------------------------------------|-----------|---------------------|----------------|------------|----|-------------|--------|-----|----|---------|-------------------------------|
| | | | Btu/hr. | Min. | Max. | 24V 60 Hz | | 120V 60 Hz | 240V 60 Hz | UL | | FM | CSA | | | |
| COMBUSTION (Fuel Gas) - NORMALLY CLOSED | | | | | | | | | | | | | | | | |
| 3/4 | 1.25 | 12 | 667,000 | 0 | 5 | 77 | K3A651U | K3A652U | K3A654U | 1 | ○ | ○ | ○ | 20 | 4.5 | |
| 1 | 1.25 | 17 | 960,000 | 0 | 5 | 77 | K3A661U | K3A662U | K3A664U | 1 | ○ | - | ○ | 20 | 4.7 | |
| 1 1/4 | 1.75 | 23 | 1,290,000 | 0 | 5 | 77 | K3A671U | K3A672U | K3A674U | 2 | ○ | - | ○ | 20 | 4.5 | |
| 1 1/2 | 1.75 | 27 | 1,509,000 | 0 | 5 | 77 | K3A681U | K3A682U | K3A684U | 2 | ○ | - | ○ | 20 | 4.7 | |

○ = Safety Shutoff Valve. ① 1" W.C. Drop @ 2" W.C. Inlet Pressure, 1,000 Btu/cu.ft. or more, 0.64 Specific Gravity Gas.

Specifications (Metric units)

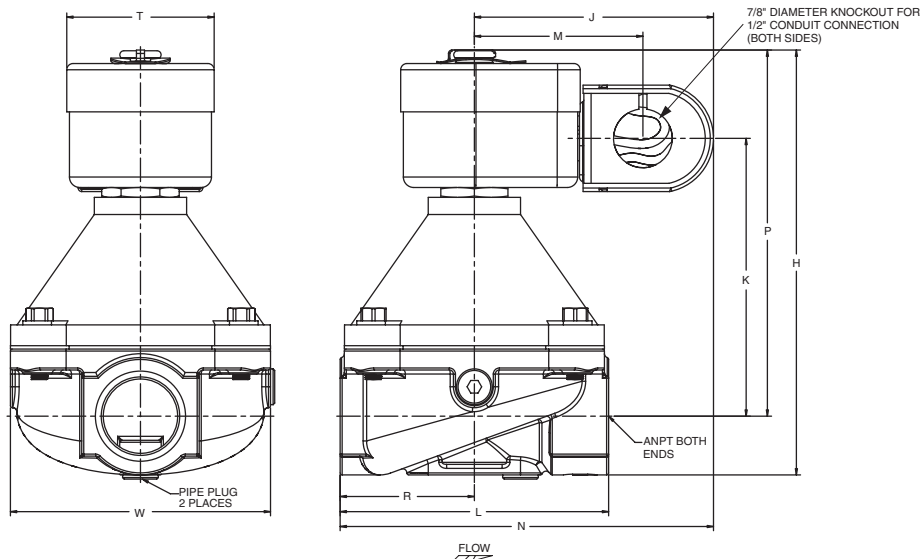
| Pipe Size (in) | Orifice Size (mm) | Kv Flow (m³/hr) | Gas Capacity ① | | Operating Pressure Differential (bar) | | Max. Fluid Temp. °C | Catalog Number | | | Const. Ref. | Agency | | | Wattage | Approx. Shipping Weight (kgs) |
|--|-------------------|-----------------|----------------|------|---------------------------------------|-----------|---------------------|----------------|------------|----|-------------|--------|-----|----|---------|-------------------------------|
| | | | Btu/hr. | Min. | Max. | 24V 60 Hz | | 120V 60 Hz | 240V 60 Hz | UL | | FM | CSA | | | |
| COMBUSTION (Fuel Gas) - NORMALLY CLOSED | | | | | | | | | | | | | | | | |
| 3/4 | 32 | 12 | 667,000 | 0 | 0.3 | 25 | K3A651U | K3A652U | K3A654U | 1 | ○ | ○ | ○ | 20 | 2.0 | |
| 1 | 32 | 17 | 960,000 | 0 | 0.3 | 25 | K3A661U | K3A662U | K3A664U | 1 | ○ | - | ○ | 20 | 2.1 | |
| 1 1/4 | 44 | 23 | 1,290,000 | 0 | 0.3 | 25 | K3A671U | K3A672U | K3A674U | 2 | ○ | - | ○ | 20 | 2.0 | |
| 1 1/2 | 44 | 27 | 1,509,000 | 0 | 0.3 | 25 | K3A681U | K3A682U | K3A684U | 2 | ○ | - | ○ | 20 | 2.1 | |

○ = Safety Shutoff Valve. ① 1" W.C. Drop @ 2" W.C. Inlet Pressure, 1,000 Btu/cu.ft. or more, 0.64 Specific Gravity Gas.

Dimensions inches (mm)

| Const. Ref. | | H | J | K | L | M | N | P | R | T | W |
|-------------|----|------|------|------|------|------|------|------|------|------|------|
| 1 | in | 6.33 | 3.53 | 4.14 | 4.00 | 2.50 | 5.53 | 5.46 | 2.00 | 2.19 | 3.87 |
| | mm | 161 | 90 | 105 | 102 | 64 | 140 | 139 | 51 | 56 | 98 |
| 2 | in | 7.03 | 3.53 | 4.47 | 5.19 | 2.50 | 6.15 | 5.78 | 2.62 | 2.19 | 3.87 |
| | mm | 179 | 90 | 114 | 132 | 64 | 156 | 147 | 67 | 56 | 98 |

Const. Ref. 1, 2



Must be mounted with solenoid vertical and upright or in the horizontal position.